

4

3

2

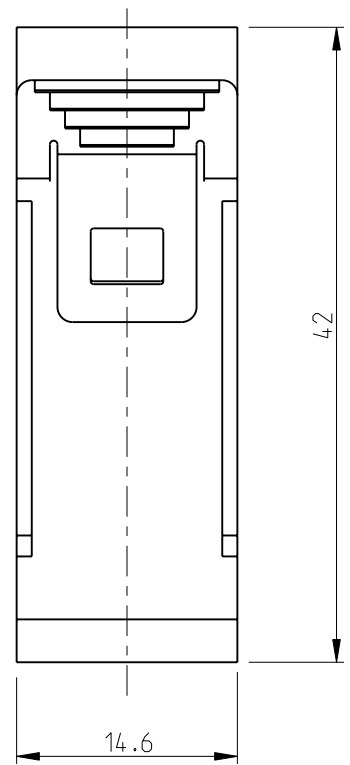
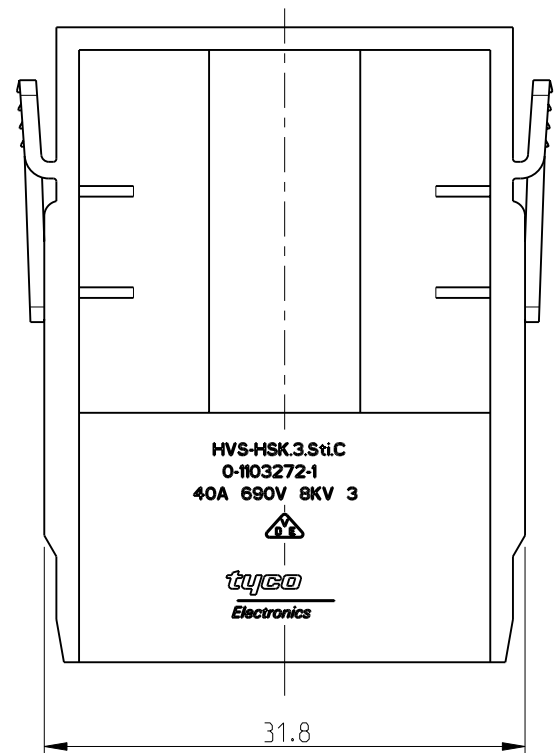
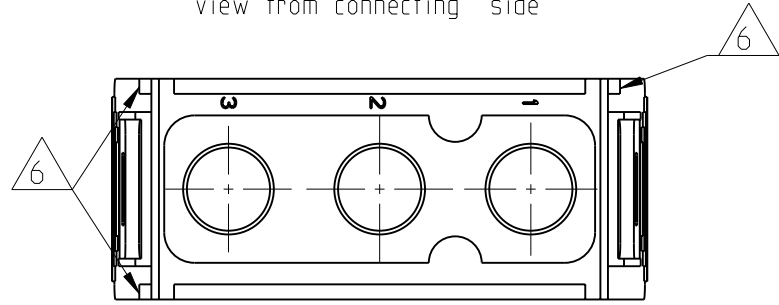
1

THIS DRAWING IS UNPUBLISHED. RELEASED FOR PUBLICATION 2000
 © COPYRIGHT 2000 BY TYCO ELECTRONICS CORPORATION. ALL RIGHTS RESERVED.

LOC	DIST	REVISIONS			
P	LTR	DESCRIPTION	DATE	DWN	APVD
	C1	ECR-10-023156	11NOV2010	SR	OH

PN 0-1 As Shown

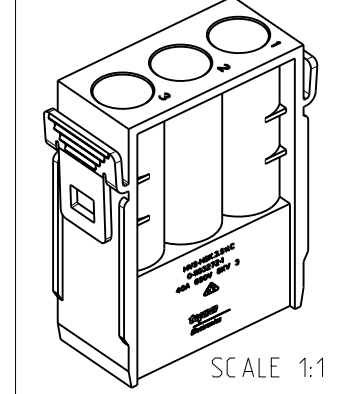
Contact arrangement view from connecting side



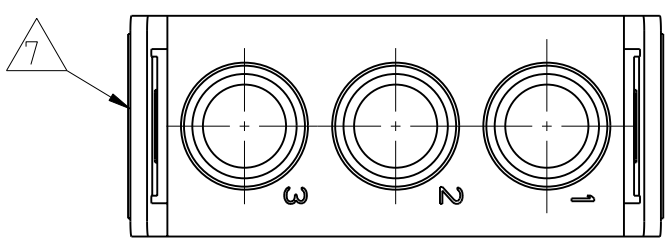
NOTES

- SUITABLE CRIMP CONTACTS: SERIES HSK
CUSTOMER DRAWING: 1108757
OUTER DIMENSIONS OF INSULATION: MAX. Ø8mm
- SUITABLE MODULE FIXING FRAME: SERIES HVS SIZE 3 TO 8
CUSTOMER DRAWING: 1103250
- SUITABLE INSERTION TOOL:
CUSTOMER DRAWING: 1102855
- SUITABLE EXTRACTION TOOL:
CUSTOMER DRAWING: 1102855
- STANDARDS:
DIN EN 61984; DIN EN 60664-1
- POLARIZATION RIBS
- MARKING OF POLARIZATION ACCORDING TO MARKING OF MODULE FRAME
- PACKAGING:
10 PIECES IN A CARTON

PN 0-1 As Shown



Contact arrangement view from termination side



1	FEMALE INSERT	PC-GF20	LYGHT GREY	1
0-1	DESCRIPTION	MATERIAL	COLOR	ITEM NO
HVS-HSK.3.Sti.C				

THIS DRAWING IS A CONTROLLED DOCUMENT FOR TYCO ELECTRONICS CORPORATION IT IS SUBJECT TO CHANGE AND THE CONTROLLING ENGINEERING ORGANIZATION SHOULD BE CONTACTED FOR THE LATEST REVISION.		DWN 20.02.2006 SCHNEIDER	Tyco Electronics AMP GmbH 53757 Sankt Augustin, Germany
DIMENSIONS: mm		CHK 20.02.2006 A.GAST	
TOLERANCES UNLESS OTHERWISE SPECIFIED: ISO 8075 DIN 150 2768 mh-E DIN 16901-120		APVD 20.02.2006 T.SCHNURPFIL	
0 PLC ± 1 PLC ± 2 PLC ± 3 PLC ± 4 PLC ± ANGLES ±		PRODUCT SPEC 108-74081	
MATERIAL		FINISH	NAME MALE INSERT HVS-HSK.3.STI.C
			SIZE A3 CAGE CODE 00779 DRAWING NO C-1103272 RESTRICTED TO
			SCALE 2:1 SHEET 1 OF 1 REV C1

APVD 20.02.2006 T.SCHNURPFIL	APPLICATION SPEC 114-74083	WEIGHT
CUSTOMER DRAWING		